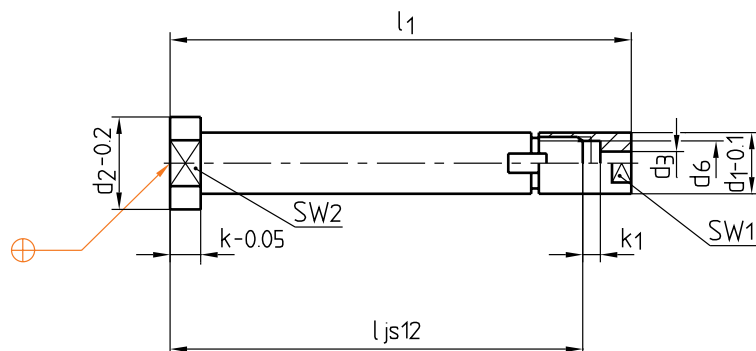


Z47/...

Mat.: WS (≈ 1.2516)



► Info

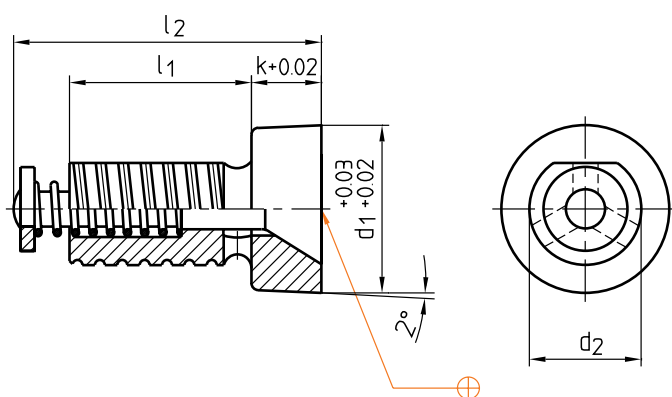


SW <sub>2</sub>	SW <sub>1</sub>	k	k <sub>1</sub>	d <sub>6</sub>	d <sub>3</sub>	d <sub>2</sub>	l <sub>1</sub>	d <sub>1</sub>	l	Nr./No.
12	7	5	2	5	2,2	14	135	8	125	Z47/ 8x125
							210		200	200
14	9		3	6	3,2	16	136	10	125	Z47/10x125
							211		200	200
17	10	7		8	3,7	20	136	12	125	Z47/12x125
							211		200	200

SW <sub>2</sub>	SW <sub>1</sub>	k	k <sub>1</sub>	d <sub>6</sub>	d <sub>3</sub>	d <sub>2</sub>	l <sub>1</sub>	d <sub>1</sub>	l	Nr./No.
19	12	7	3	10	5,2	22	171	14	160	Z47/14x160
							261		250	250
							173		160	Z47/16x160
	14		5	12	6,2		263	250	250	
							173	160	Z47/20x160	
22	17	8		16	8,2	26	173	20	160	Z47/20x160
							263	250	250	

Z491/...

Mat.: Ampcoloy 940



A2720/...	max. °C	l <sub>1</sub>	l <sub>2</sub>	k	d <sub>1</sub>	d <sub>2</sub>	Nr./No.
A2720/ 8/ 6	250	8	16	5	8	6	Z491/ 8/ 6
12/ 8		13	21	5	12	8	12/ 8
16/10		12	22	6	16	10	16/10

This is trial version  
www.adultpdf.com